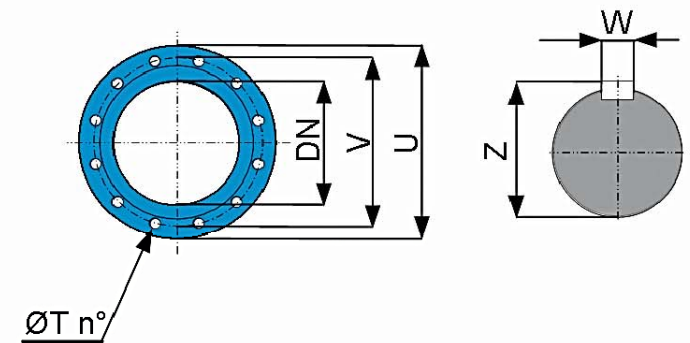
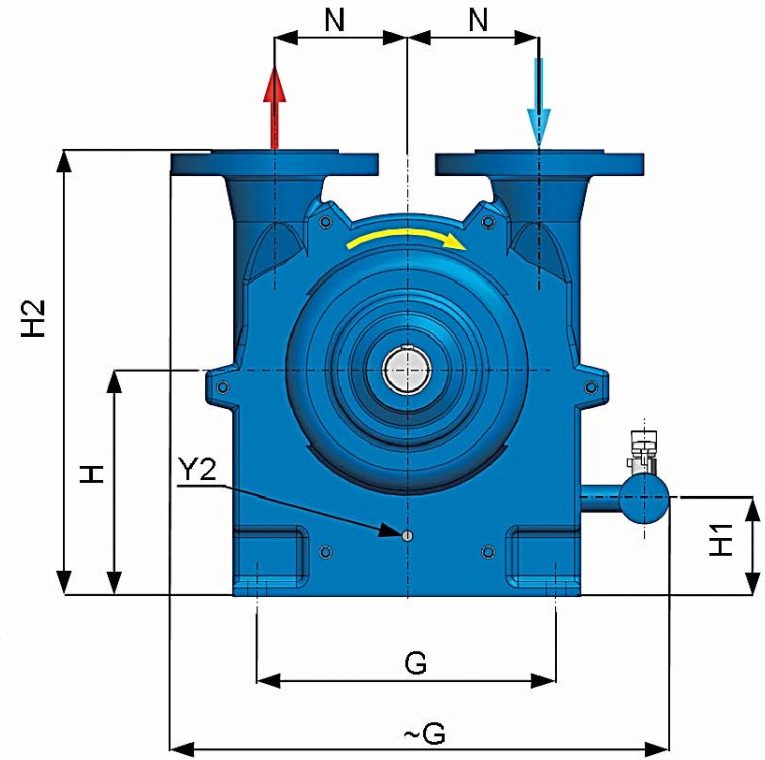
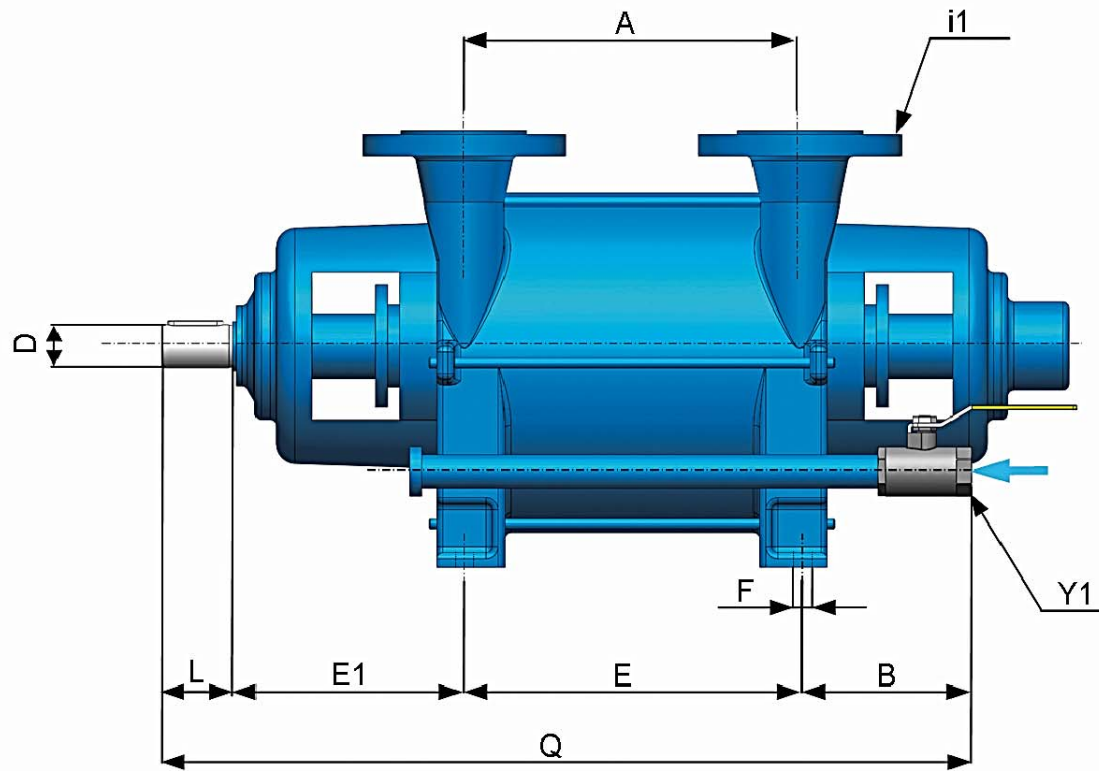


► TABELLA INGOMBRI LEADING DIMENSIONS

| TIPO Type | FLANGE - Flanges PN 10 UNI 2277 | | | | |
|--------------|------------------------------------|-----|-----|--------------|----|
| | DN | V | U | FORI - Holes | |
| | | | | Øt | N° |
| t0 | 50 | 125 | 165 | 18 | 4 |
| t1 | 65 | 145 | 185 | 18 | 4 |
| t2 | 100 | 180 | 220 | 18 | 8 |
| t3 | 125 | 210 | 250 | 18 | 8 |

| TIPO Type | POMPA Pump | | | | | | | | | | | ALBERO Shaft | | | | PIEDI DI APPOGGIO Feet | | | |
|----------------|---------------|-----|-------|-----|-----|-----|-----|-----|------|--------|--------|-----------------|----|------|-----|---------------------------|----|-----|----|
| | A | B | E1 | ~G | H | H1 | H2 | N | Q | Y1 Gas | Y2 Gas | D | W | Z | L | E | F | G | i1 |
| ALC102Z | 262 | 145 | 193,5 | 500 | 180 | 74 | 355 | 105 | 730 | 3/4" | 1/2" | 35 | 10 | 38 | 58 | 251 | 15 | 220 | t0 |
| ALC103Z | 327 | 145 | 193,5 | 500 | 180 | 74 | 355 | 105 | 795 | 3/4" | 1/2" | 35 | 10 | 38 | 58 | 316 | 15 | 220 | t0 |
| ALC151Z | 307 | 145 | 206 | 550 | 225 | 94 | 425 | 125 | 800 | 3/4" | 3/4" | 35 | 10 | 38 | 58 | 295 | 19 | 260 | t1 |
| ALC152Z | 332 | 145 | 206 | 550 | 225 | 94 | 425 | 125 | 825 | 3/4" | 3/4" | 35 | 10 | 38 | 58 | 320 | 19 | 260 | t1 |
| ALC153Z | 392 | 145 | 206 | 550 | 225 | 94 | 425 | 125 | 885 | 3/4" | 3/4" | 35 | 10 | 38 | 58 | 380 | 19 | 260 | t1 |
| ALC202Z | 427 | 175 | 227 | 700 | 315 | 127 | 590 | 155 | 975 | 1" | 3/4" | 50 | 14 | 53.5 | 82 | 395 | 24 | 340 | t2 |
| ALC203Z | 547 | 175 | 227 | 700 | 315 | 127 | 590 | 155 | 1095 | 1" | 3/4" | 50 | 14 | 53.5 | 82 | 515 | 24 | 340 | t2 |
| ALC252Z | 570 | 200 | 263 | 800 | 400 | 148 | 755 | 215 | 1225 | 1" 1/4 | 1" | 70 | 20 | 74.5 | 105 | 525 | 28 | 465 | t3 |
| ALC253Z | 720 | 200 | 263 | 800 | 400 | 148 | 755 | 215 | 1375 | 1" 1/4 | 1" | 70 | 20 | 74.5 | 105 | 675 | 28 | 465 | t3 |

► DIMENSIONI DI INGOMBRO LEADING DIMENSIONS



► TABELLA DELLE PORTATE PERFORMANCE

