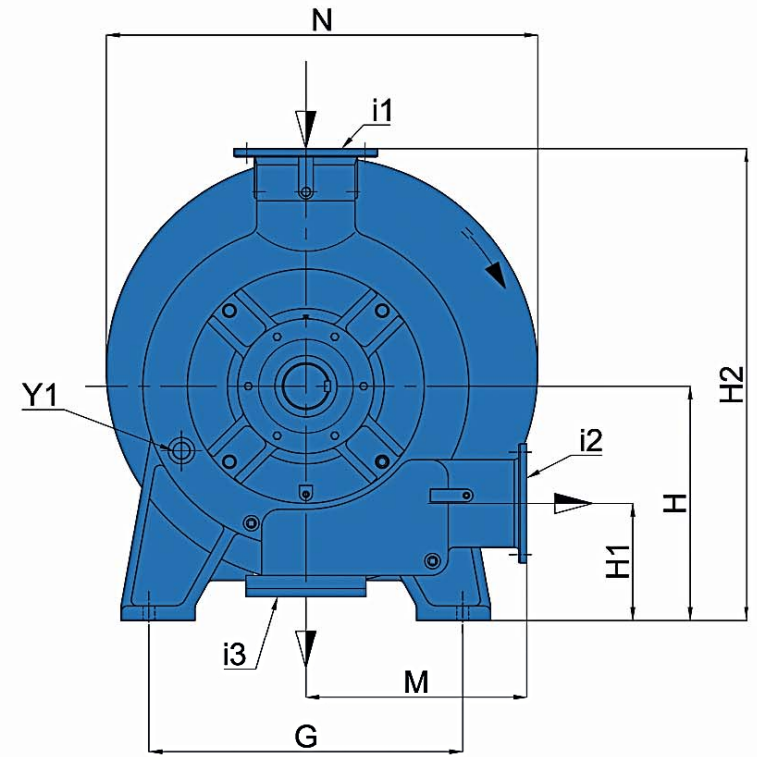
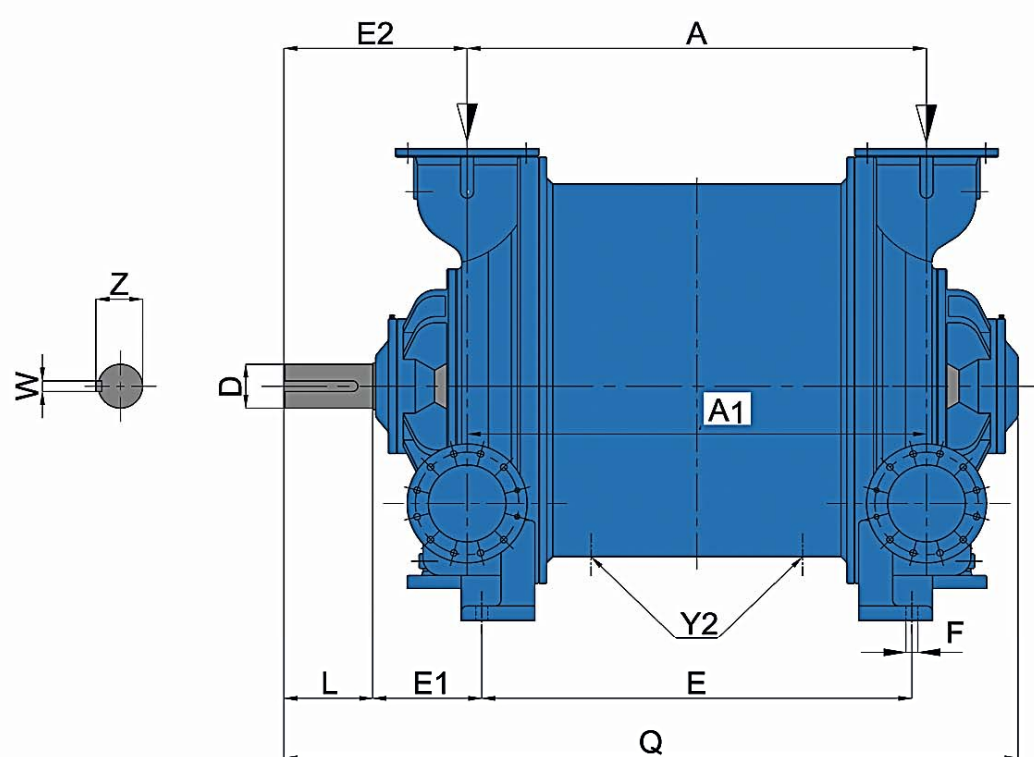


► **TABELLA DELLE PORTATE PERFORMANCE**



► DIMENSIONI DI INGOMBRO LEADING DIMENSIONS



► TABELLA INGOMBRI LEADING DIMENSIONS

TIPO Type	POMPA Pump											ALBERO Shaft				PIEDI DI APPOGGIO Feet			FLANGE		
	A	A1	E1	E2	H	H1	H2	N	Q	Y1 Gas	Y2 Gas	D	W	Z	L	E	F	G	INLET i1 DN	OUTLET i2 DN	OUTLET i3 DN
AL-B4 L	1289	1289	372	584	635	413	1308	1245	2188	1"1/2	1"1/2	127	32	134	273	1168	ø32	966	250	200	\
AL-B4 M	1492	1492	372	584	635	413	1308	1245	2391	1"1/2	1"1/2	127	32	134	273	1372	ø32	966	250	200	\
AL-B4 P	1654	1654	357	617	762	419	1556	1510	2559	2"	2"	177.8	45	187.8	330	1515	ø45	1118	300	250	250
AL-B4 R	1883	1883	357	617	762	419	1556	1510	2788	2"	2"	177.8	45	187.8	330	1743	ø45	1118	300	250	250
AL-B4 S	1835	1835	368.5	765	914	508	1854	1762	2985	2"	2"	190.5	45	196.4	381	1867	ø45	1168	350	300	300
AL-B4 T	2013	2013	368.5	765	914	508	1854	1762	3162	2"	2"	190.5	45	196.4	381	2045	ø45	1168	350	300	300